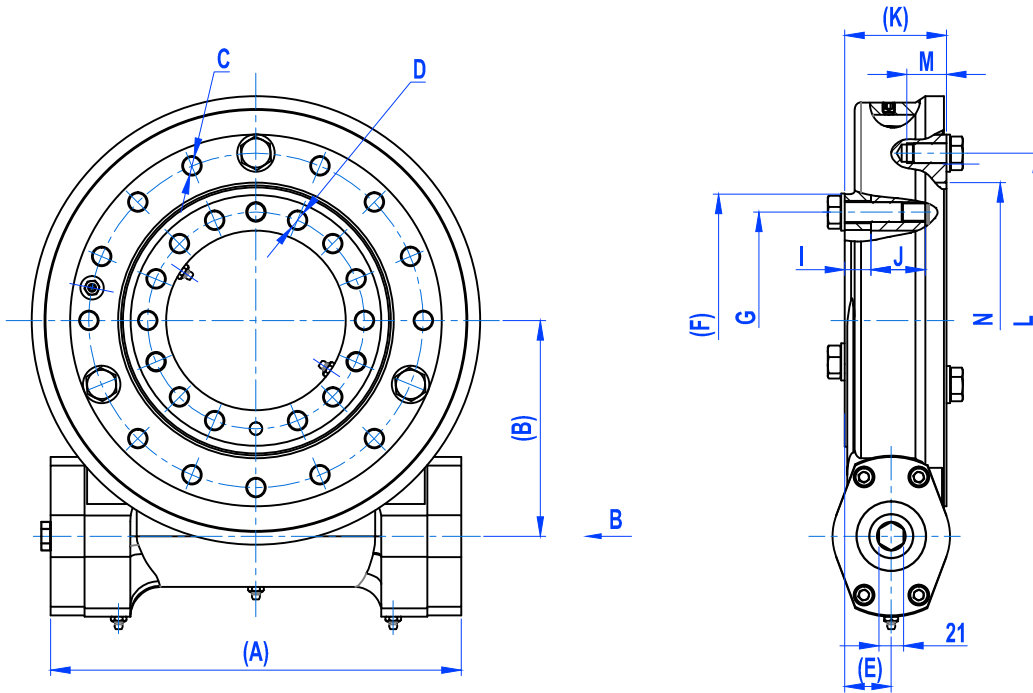


LP Series



25M

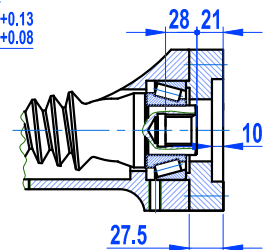
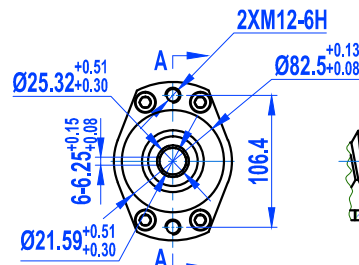
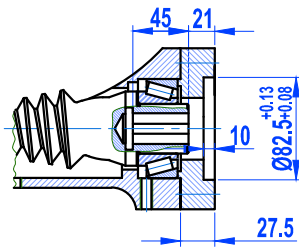
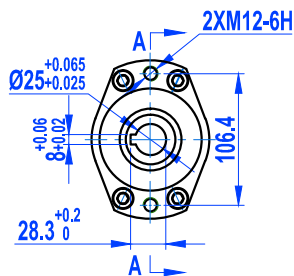
6B

VIEW B

Section A-A

VIEW B

Section A-A



NOTE: The interface dimension depends on actual customer requirements and specifications.

Mounting Dimension Sheet

UNIT: mm

TYPE	A	B	C	D	E	F	G	H	I	J	K	L	M	N
LP9	331.7	174.1	16xM16 EQS	15xM16 Based on 16 EQS	37.5	Ø204	Ø175.0	Ø18	21	44	82.0	Ø270.0	32	Ø222.5
LP14	357.5	239.7	18xM16 EQS	23xM16 Based on 24 EQS	35.0	Ø325	Ø295.0	Ø18	21	43	82.0	Ø390.0	32	Ø342.5
LP17	405.0	275.5	20xM16 EQS	20xM16 Based on 20 EQS	36.0	Ø406	Ø365.1	Ø18	21	48	82.0	Ø479.4	32	Ø422.1

Performance Parameters

DATA TYPE	Slewing Drive Ratio	Efficiency	Nom. Output Torque	MAX. Output Torque	Holding Torque	Tilting Moment Torque	Static Radial Rating	Static Axial Rating	Dynamic Radial Rating	Dynamic Axial Rating	Self-locking	Torsion Stiffness	Bending Stiffness
			N.m	N.m	N.m	N.m	kN	kN	kN	kN		Nm/mRad	Nm/mRad
LP9	61	43%	4,480	8,960	39,083	45,000	135.0	337.4	70.9	81.0	YES	1,125	2,378
LP14	85	43%	6,497	12,994	54,455	67,800	222.0	555.0	116.6	133.2		3,400	9,224
LP17	102	43%	9,360	18,720	65,633	135,600	390.7	976.8	205.1	234.4		6,400	12,000