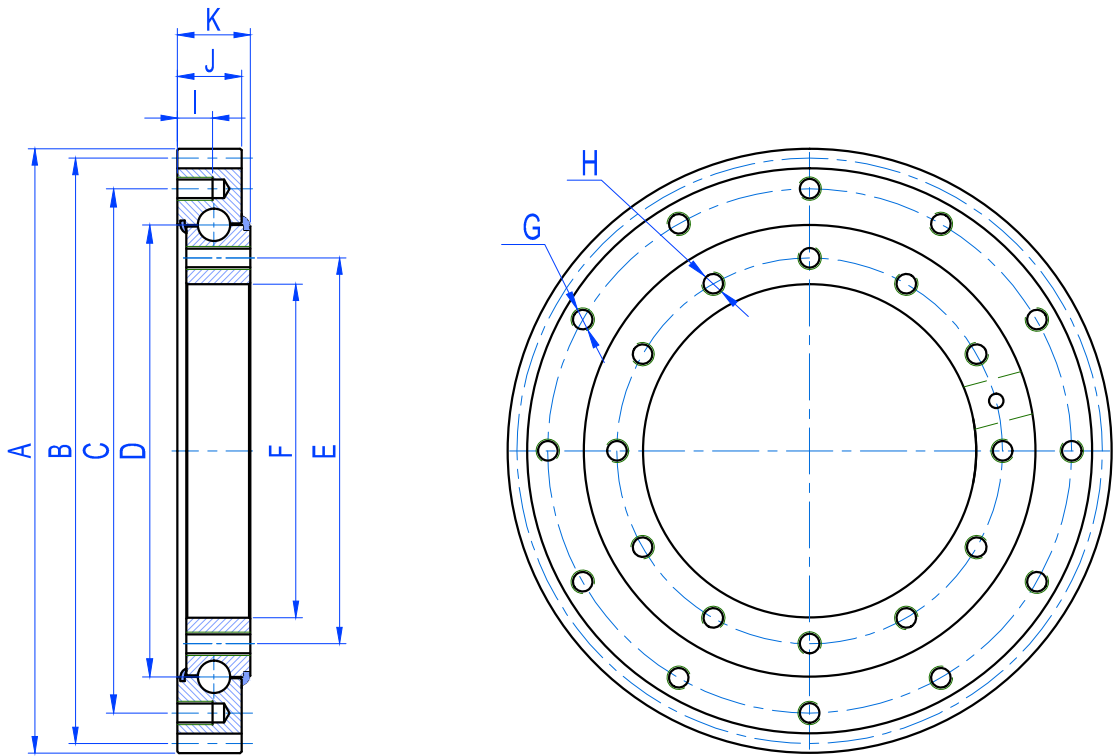


SR Series



Mounting Dimension Sheet

UNIT: mm

TYPE	A	B	C	D	E	F	G	H	I	J	K
SR7	∅236.3	∅230	∅203.2	∅163	∅120.7	∅98	8×M12 EQS	10×M12 Based on 10 EQS	18	39	43
SR9	∅312.5	∅305	∅270.0	∅223	∅175.0	∅146	16×M16 EQS	15×M16 Based on 16 EQS	44	44	50
SR12	∅397.5	∅390	∅358.0	∅310	∅259.0	∅229	18×M16 EQS	19×M16 Based on 20 EQS	44	44	50
SR14	∅432.5	∅425	∅390.0	∅343	∅295.0	∅265	18×M16 EQS	23×M16 Based on 24 EQS	43	43	50
SR17	∅517.5	∅510	∅479.4	∅422	∅365.1	∅324	20×M16 EQS	20×M16 Based on 20 EQS	48	48	56
SR21	∅632.5	∅625	∅584.2	∅526	∅466.7	∅432	36×M20 EQS	35×M20 Based on 36 EQS	50	92	95
SR25	∅757.5	∅750	∅675.0	∅620	∅565.0	∅512	36×M20 EQS	35×M20 Based on 36 EQS	40	78	83

Performance parameters

DATA TYPE	Module	Number of teeth wheel	MAX. Output Torque	Tilting Moment Torque	Static Radial Rating	Static Axial Rating	Dynamic Radial Rating	Dynamic Axial Rating
	mm		N.m	N.m	kN	kN	kN	kN
SR7	3.15	73	4,020	13,556	53.3	133.2	27.9	31.9
SR9	5/3.75	61	8,960	45,000	135.0	337.4	70.9	81.0
SR12	5/3.75	78	11,590	54,240	190.3	475.1	99.8	114.0
SR14	5/3.75	85	12,994	67,800	222.0	555.0	116.6	133.2
SR17	5/3.75	102	18,720	135,600	390.7	976.8	205.1	234.4
SR21	5/3.75	125	32,020	203,400	639.4	1,598.5	335.7	383.6
SR25	5/3.75	150	42,995	271,164	944.0	2,360.0	472.0	590.0