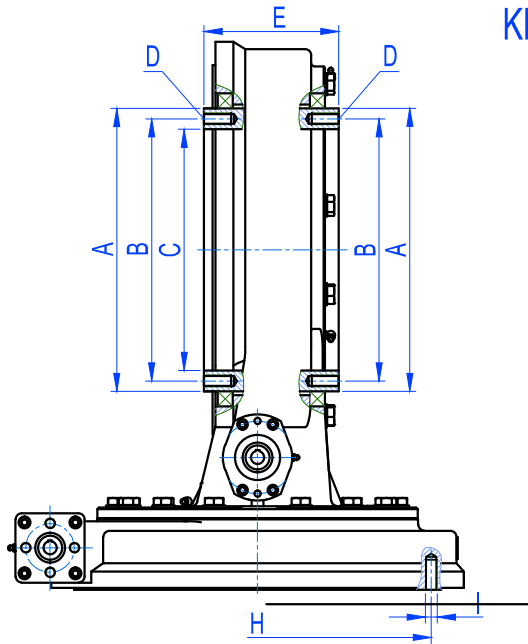
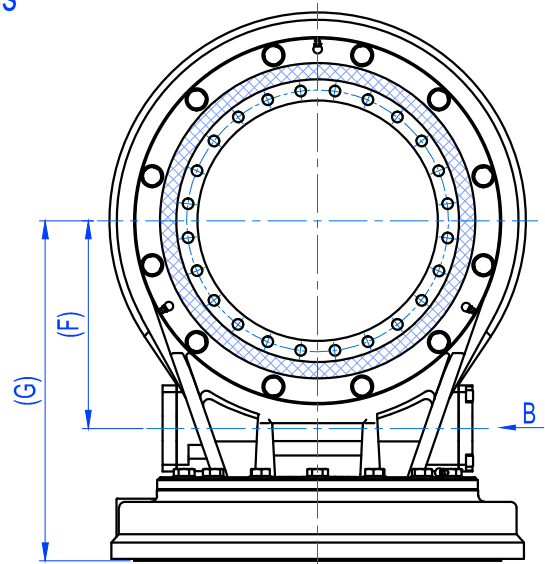


KDE Series



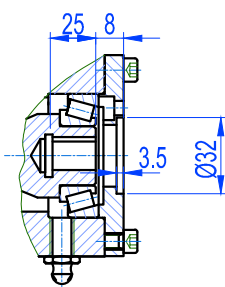
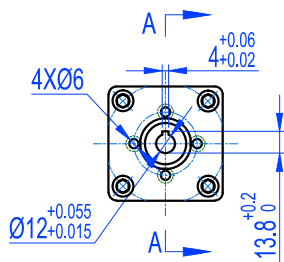
3"~7" Slewing drive



9"~21" Slewing drive

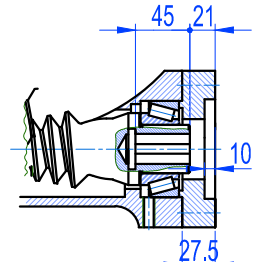
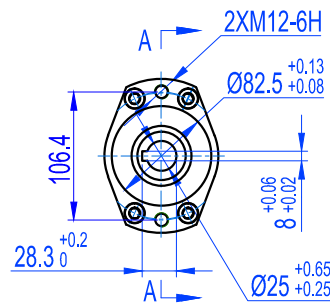
VIEW B

Section A-A



VIEW B

Section A-A



NOTE: The interface dimension depends on actual customer requirements and specifications.

Mounting Dimension Sheet

UNIT: mm

TYPE/型号	A	B	C	D	E	F	G	H	I
KDE3	Ø85	Ø70	Ø50	6xM8 DP.16 EQS	93.0	80.0	207	Ø70.0	6xM8 DP.16 EQS
KDE5	Ø100	Ø75	Ø55	8xM8 DP.20 EQS	108.0	95.8	205	Ø135.0	8xM12 DP.20 EQS
KDE7	Ø140	Ø118	Ø96	8xM12 DP.24 EQS	140.0	133.2	275	Ø196.0	8xM12 DP.24 EQS
KDE9	Ø200	Ø170	Ø140	8xM16 DP.32 EQS	170.0	174.2	331	Ø270.0	16xM16 DP.32 EQS
KDE12	Ø300	Ø269	Ø240	18xM16 DP.32 EQS	203.0	220.0	404	Ø358.0	18xM16 DP.32 EQS
KDE14	Ø350	Ø295	Ø270	16xM16 DP.25 EQS	220.0	237.6	430	Ø390.0	18xM16 DP.30 EQS
KDE17	Ø420	Ø390	Ø360	16xM16 DP.25 EQS	230.0	280.0	484	Ø479.4	16xM16 DP.30 EQS
KDE21	Ø470	Ø435	Ø400	24xM20 DP.40 EQS	254.0	345.0	598	Ø598.0	24xM20 DP.50 EQS

Performance Parameters

TYPE	DATA	Slewing Drive Ratio	Efficiency	Nom. Output Torque	MAX. Output Torque	Holding Torque	Tilting Moment Torque	Static Radial Rating	Static Axial Rating	Dynamic Radial Rating	Dynamic Axial Rating	Self-locking	Torsion Stiffness	Bending Stiffness
KDE3		62	30%	599	899	2,100	500	8.3	14.7	4.2	4.8	YES	167	80
KDE5		61	30%	849	1,274	5,500	2,750	13.6	34.0	7.0	8.2		192	356
KDE7		73	30%	2,010	4,020	10,062	5,400	53.3	133.2	27.9	31.9		580	1,400
KDE9		61	43%	4,480	8,960	39,083	25,000	134.9	337.4	70.9	81.0		825	1,678
KDE12		78	43%	5,795	11,590	49,975	31,500	190.3	475.1	99.8	114.0		1,500	3,291
KDE14		85	43%	6,497	12,994	54,455	47,460	222.0	555.0	116.6	133.2		2,400	7,224
KDE17		102	43%	9,360	18,720	65,633	94,992	390.7	976.8	205.1	234.4		4,400	9,000
KDE21		125	43%	16,010	32,020	81,000	152,380	639.4	1,598.5	335.7	383.6		4,500	12,000