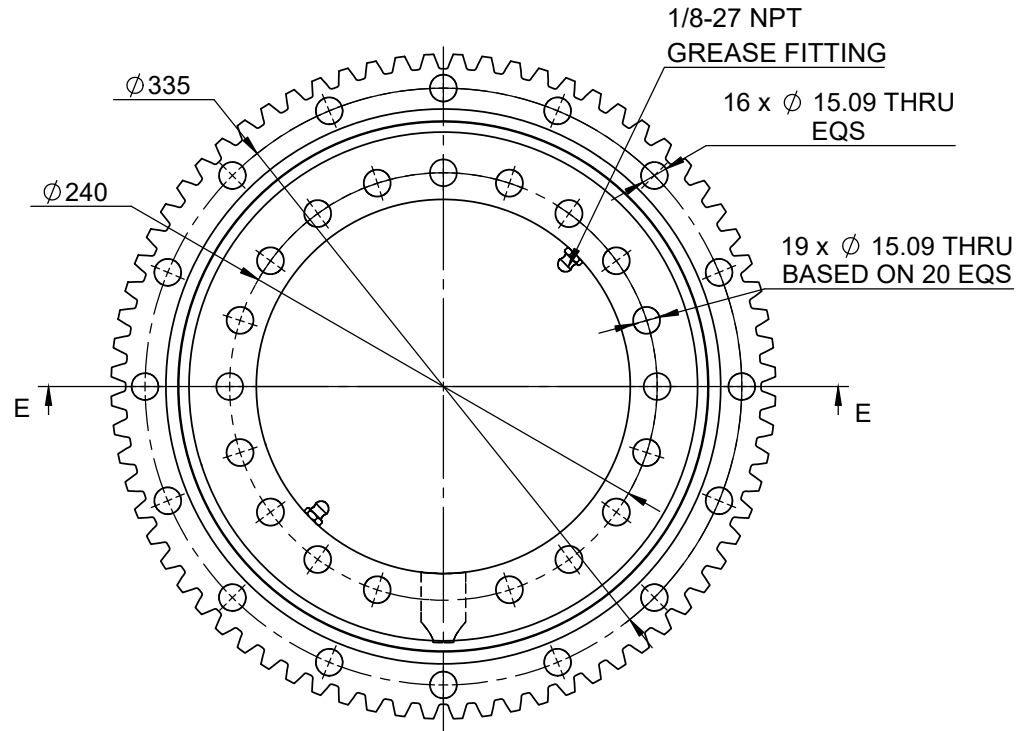
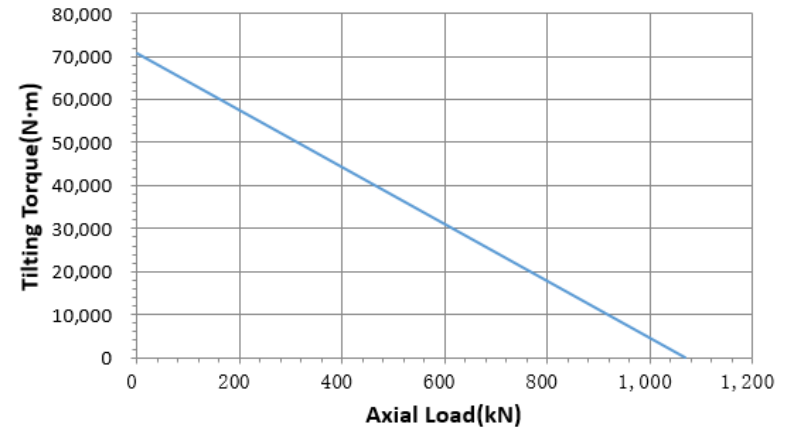


Gear data					
Module	m_n	5.08	Addendum	h_a	3.63
No. of teeth	z	72	Tooth height	h	8.17
Pressure angle	α_n	20°	Modification coefficient	x_n	0
Helix angle		0°	Helix position		-
common normal line	$W \frac{Ebms}{Ebmi}$	$117.599_{-0.233}^{-0.117}$	Cross-tooth No.		
			k		8
Radial run-out		F_y			≤ 0.45
Max gear tooth load		F_z			32435 N



Tilting Torque VS Axial Load



On the dimensions with parenthesis:
 1) These are for reference only.
 2) This is a preliminary dimension and may vary in the actual product.
 3) If this dimension is important to the application, please communicate this back to KMI.

DESIGNED BY	JXY	2020/11/24	KMI GROUP www.kinematicsmfg.com		
CHECKED BY	C F	2020/11/24			
APPROVED BY	WMS	2020/11/24			
<small>ALL PROPRIETARY RIGHTS IN THE SUBJECT MATTER HEREOF ARE RESERVED, AND NO PERMISSION IS GRANTED TO REPRODUCE THIS PRINT IN WHOLE OR IN PART, OR TO DISCLOSE ANY OF THE INFORMATION TO OTHERS.</small>			WEIGHT	SCALE	
			20.856 Kg	1:6	
SYMBOL ISO	SIZE	A3	SHEET	1/2	Slewing Ring KTE-210X
			<small>THE TOLERANCE NOT MENTIONED IS REFERRED TO ISO 2786-VL CASTING TOLERANCE ISO 8062-CT10</small>		
					REV
					A