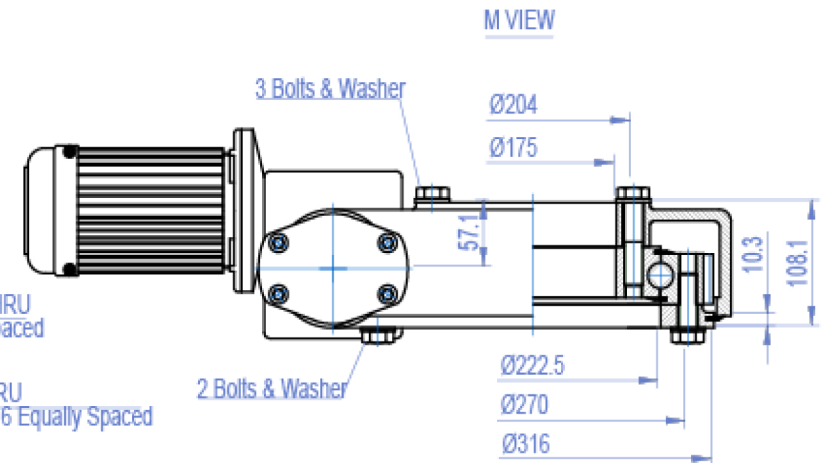
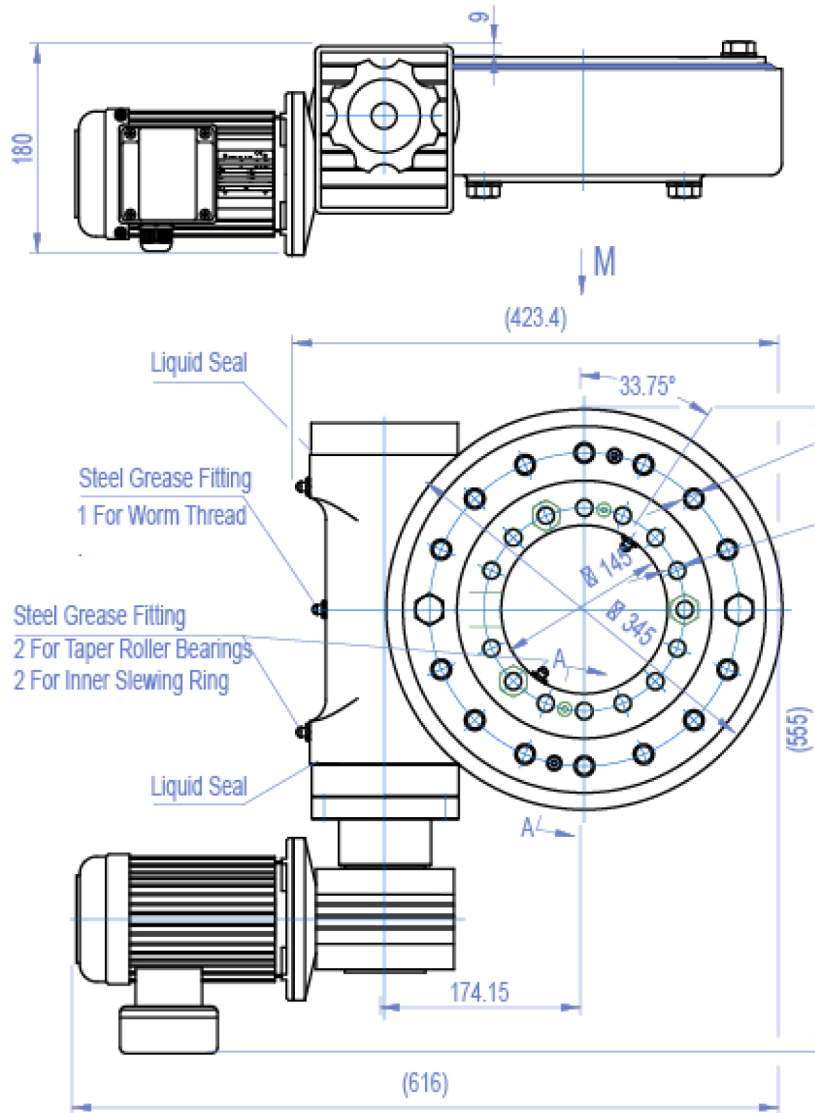
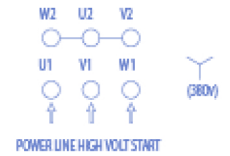
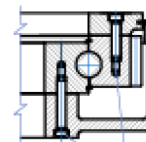


HOURGLASS WORM SLEW DRIVE

WIRING DIAGRAM



A-A Section
 Rotate 90 Degree



2 Shoulder Bolts
 Not Remove To Hold On Ring

DESIGNED BY	H G 2011.04.01			KMI GROUP	
CHECKED BY	F J 2011.04.01			www.kinematicsmfg.com	
APPROVED BY	J Z 2011.04.01				
ALL PROPRIETARY RIGHTS IN THE SUBJECT MATTER HEREOF ARE RESERVED, AND NO PERMISSION IS GRANTED TO REPRODUCE THIS PRINT IN WHOLE OR IN PART, OR TO DISCLOSE ANY OF THE INFORMATION TO OTHERS.			WEIGHT	SCALE	SLEW DRIVE
				NTS	
SYMBOL	SIZE	A4	SHEET	1/1	ACE9C
ISO			THE TOLERANCE NOT MENTIONED IS REFERRED TO ISO 2768-mK		
					REV A